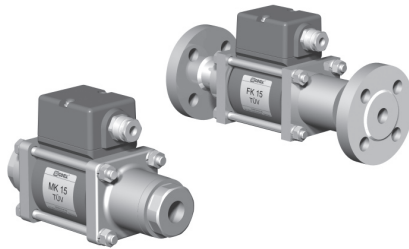
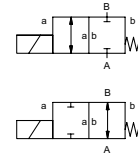


# coaxial valve

## type MK 15 TÜV FK 15 TÜV



**2/2 way valve** direct acting  
**pressure range** PN 0-40 bar  
**orifice** DN 15 mm  
**connection** thread/flange  
**function** valve normally closed symbol **NC**  
 valve normally open symbol **NO**



**△** Above stated body materials refer to the valve port connections that get in contact with the media only!

**design** pressure balanced, with spring return  
**body materials** ⑦ TÜV

**valve seat** synthetic resin on metal  
**seal materials** FPM, PTFE

**details needed**

- orifice
- port
- function NC/NO
- operating pressure
- flow rate
- media
- media temperature
- ambient temperature
- nominal voltage

**general specifications**

**options**

<b>ports</b>	MK threads G 3/8 - G 3/4	
	FK flanges PN 40	
<b>function</b>	NC	NO
<b>pressure range</b>	bar 0-40	
<b>Kv value</b>	m³/h 4,8	
<b>vacuum</b>	leak rate	
<b>pressure-vacuum</b>	P <sub>1</sub> ↔ P <sub>2</sub>	
<b>back pressure</b>	P <sub>2</sub> > P <sub>1</sub>	available (max. 16 bar)
<b>media</b>	liquid fuels	
<b>abrasive media</b>		
<b>damping</b>	opening	
	closing	
<b>flow direction</b>	A ↔ B as marked	
<b>switching cycles</b>	1/min 200	
<b>switching time</b>	ms opening 80 closing 80	
<b>media temperature</b>	°C DC: -10 to +140	
	AC: -10 to +140	
<b>ambient temperature</b>	°C DC: -10 to +60	
	AC: -10 to +60	
<b>limit switches</b>		mechanical
<b>manual override</b>		
<b>approvals</b>	TÜV DIN EN 264 + E DIN 32725	
<b>mounting</b>		mounting brackets
<b>weight</b>	kg MK 3,8 FK 5,0	
<b>additional equipment</b>		

**electrical specifications**

**options**

<b>nominal voltage</b>	U <sub>n</sub> 24 V DC	
	U <sub>n</sub> 230 V 40-60 Hz AC	
<b>actuation</b>	DC direct-current magnet	
	AC direct-current magnet with integrated rectifier	
<b>insulation rating</b>	H 180°C	
<b>protection</b>	IP65	
<b>energized duty rating</b>	ED 100%	
<b>connection</b>	M16x1,5 terminal box	
<b>optional additional equipment</b>		
<b>current consumption</b>	N-coil	
	H-coil 24 V DC 2,30 A	
	230 V 40-60 Hz AC 0,24 A	
<b>explosion proof</b>		
<b>limit switches</b>	mechanical	single pole double throw-SPDT

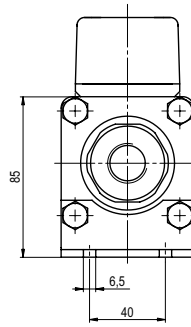
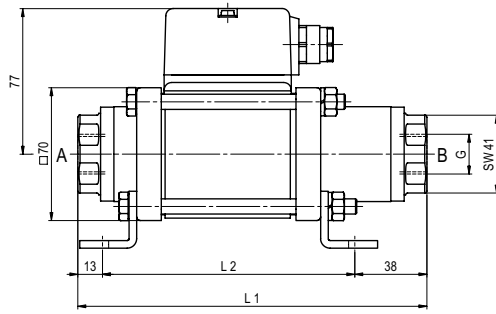
**⚠** The valves' technical design is based on media and application requirements. This can lead to deviations from the general specifications shown on the data sheet with regards to the design, sealing materials and characteristics.

**⚠** If order or application specifications are incomplete or imprecise there exists a risk of an incorrect technical design of the valve for the required application. As a consequence, the physical and / or chemical properties of the materials or seals used, may not be suitable for the intended application.

■ specifications not highlighted are standard  
 ■ specifications highlighted in grey are optional

# type MK 15 TÜV

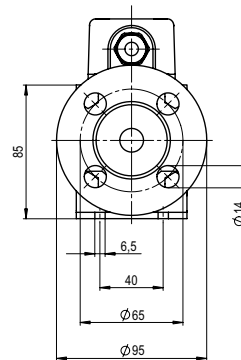
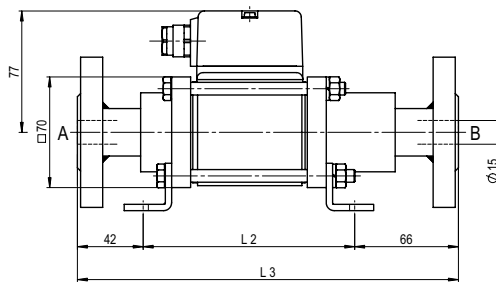
function: **NC**  
closed when not energized



constructive length	L1	L2	L3
standard	184	133	241
with mechanical limit switches	204	153	261

# type FK 15 TÜV

function: **NO**  
open when not energized



The application-specific layout relating to temperature, pressure conditions, switching behavior, media and its consistency may restrict the range of use or necessitate relevant modifications to materials used and seal arrangements.

Rights reserved to make technical alterations • Not responsible for printing errors • Detailed drawings can be obtained upon request