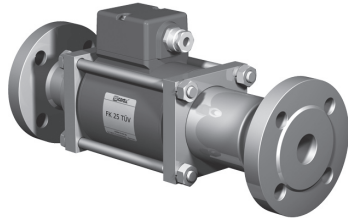
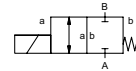



coaxial valve

type FK 25 TÜV



2/2 way valve direct acting
pressure range PN 0-40 bar
orifice DN 25 mm
connection flange
function valve normally closed
symbol NC



 Above stated body materials refer to the valve port connections that get in contact with the media only!

design pressure balanced, with spring return
body materials ⑦ TÜV

valve seat synthetic resin on metal
seal materials FPM, PTFE

details needed

- orifice
- port
- function NC
- operating pressure
- flow rate
- media
- media temperature
- ambient temperature
- nominal voltage

general specifications


options


ports	FK	flanges PN 40
function		NC
pressure range	bar	0-40
Kv value	m ³ /h	11,2
vacuum		leak rate
pressure-vacuum	P ₁ ↔ P ₂	
back pressure	P ₂ > P ₁	available (max. 16 bar)
media		liquid fuels
abrasive media		
damping	opening	
	closing	
flow direction	A ↔ B	as marked
switching cycles	1/min	130
switching time	ms	opening 130 closing 130
media temperature	°C	DC: -10 to +140
		AC: -10 to +140
ambient temperature	°C	DC: -10 to +60
		AC: -10 to +60
limit switches		mechanical
manual override		
approvals	TÜV	DIN EN 264 + E DIN 32725
mounting		mounting brackets
weight	kg	FK 10,5
additional equipment		

electrical specifications

options

nominal voltage	U _n	24 V	DC
	U _n	230 V	40-60 Hz AC
actuation	DC	direct-current magnet	
	AC	direct-current magnet with integrated rectifier	
insulation rating	H	180°C	
protection	IP65		
energized duty rating	ED	100%	
connection	M16x1,5	terminal box	
optional			
additional equipment			
current consumption	N-coil		
	H-coil	24 V	DC 2,66 A
		230 V	40-60 Hz AC 0,36 A
explosion proof			
limit switches		mechanical	single pole double throw-SPDT

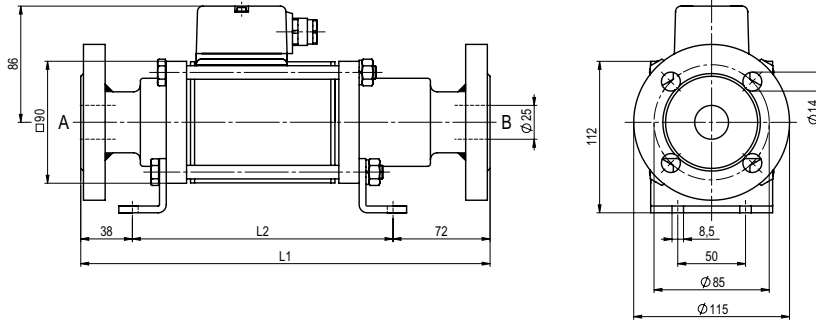
 The valves' technical design is based on media and application requirements. This can lead to deviations from the general specifications shown on the data sheet with regards to the design, sealing materials and characteristics.

 If order or application specifications are incomplete or imprecise there exists a risk of an incorrect technical design of the valve for the required application. As a consequence, the physical and / or chemical properties of the materials or seals used, may not be suitable for the intended application.

■ specifications not highlighted are standard
 ■ specifications highlighted in grey are optional

type **FK 25 TÜV**

function: **NC**
closed when not energized



constructive length	L ₁	L ₂
standard	302	192
with mechanical limit switches	355	245

The application-specific layout relating to temperature, pressure conditions, switching behavior, media and its consistency may restrict the range of use or necessitate relevant modifications to materials used and seal arrangements.

Rights reserved to make technical alterations • Not responsible for printing errors • Detailed drawings can be obtained upon request