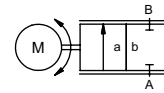


positioning valve

type **RMQ 10 PC**



control valve electro motorically controlled
pressure range PN 0-25 bar
orifice DN 1-10 mm
connection thread/cartridge
function stepless
 stroke regulation



Above stated body materials refer to the valve port connections that get in contact with the media only!

design direct acting with integrated 3-point-regulation
body materials ① aluminium ③
 ① ④
 ② ⑥ stainless steel
valve seat synthetic resin on metal
seal materials PU, HNBR FPM

details needed

- orifice
- port
- operating pressure/Δp
- flow rate
- media
- media temperature
- ambient temperature
- nominal voltage
- control signal

general specifications

options

ports	RMQ	threads G 3/8
function		stepless regulation
pressure range	bar	0-25
Kv value	DN	1 2 3 4 5 6 8 10
	l/min	0,8 1,8 3,5 5,7 9,0 15 26 45
back pressure	bar	max. 10
media		gaseous - liquid - highly viscous
abrasive media		
flow direction	A ⇌ B	as marked
switching cycles		
operating time	DN	1 2 3 4 5 6 8 10
closed - open	sec. ca.	3,5 5 5 7 8,5 12 16 7,5
media temperature	°C	0 to +80
ambient temperature	°C	max. +70
approvals		WAZ
mounting		mounting holes
weight	kg	RMQ 2,8 RMQ 3,4

electrical specifications

options

nominal voltage	U _n	24 V DC
	U _n	24 V AC
power consumption	DC	< 0,5 A
	AC	< 0,5 A
control signals	I _e	0-20 mA / 4-20 mA actual valve output
	U _E	0-10 V Ix 4-20 mA
protection	IP 65 (P54)	acc. DIN 40 050
energized duty rating	ED	100%
connection	M12x1	concentric socket DIN 40040, 5 poles / wire diameter 6-8 mm
additional equipment		internal separate actual value output

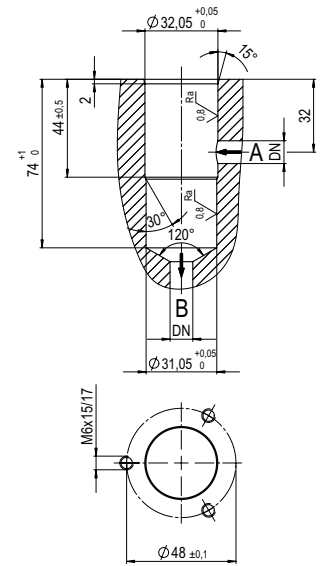
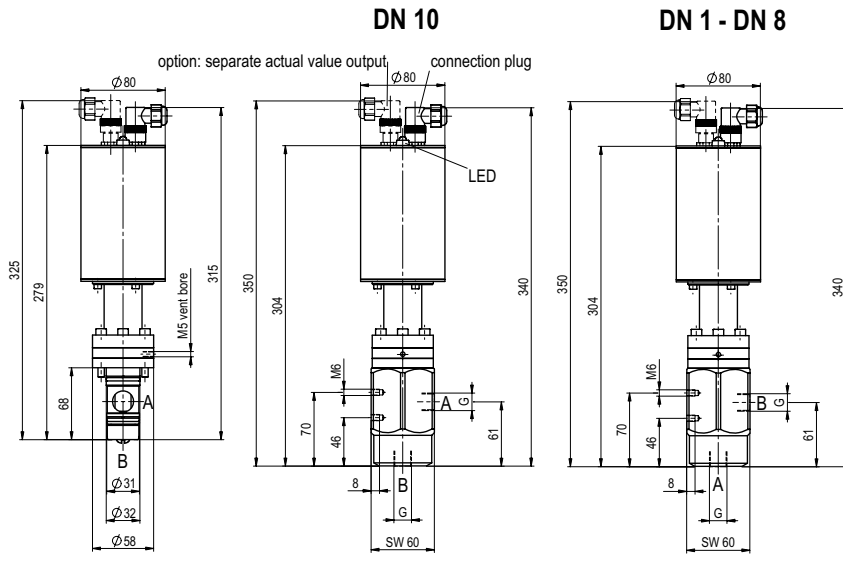
The valves' technical design is based on media and application requirements. This can lead to deviations from the general specifications shown on the data sheet with regards to the design, sealing materials and characteristics.

If order or application specifications are incomplete or imprecise there exists a risk of an incorrect technical design of the valve for the required application. As a consequence, the physical and / or chemical properties of the materials or seals used, may not be suitable for the intended application.

■ specifications not highlighted are standard
 ■ specifications highlighted in grey are optional

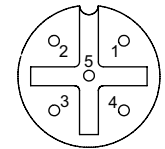
type RMQ 10 PC

drilling design for cartridge



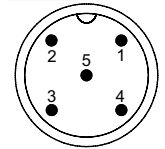
attention: connection changes to DN10-version.

connection plan / connection plug



- 1: nominal voltage
- 2: nominal voltage
- 3: control signal
- 4: ground (control signal)
- 5: ⊕

option separate actual value output



- 1: actual value 4-20 mA (+)
- 2: actual value 4-20 mA (-)