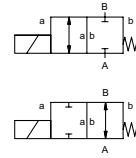



lateral valve

type RSV 20



2/2 way valve direct acting
pressure range PN 0-10 bar
orifice DN 20 mm
connection thread
function valve normally closed symbol **NC**
 valve normally open symbol **NO**



 Above stated body materials refer to the valve port connections that get in contact with the media only!

design pressure balanced, with spring return
body materials ① brass
 ③ brass, nickel plated

valve seat synthetic resin on metal
seal materials NBR **FPM**

details needed

- orifice
- port
- function NC/NO
- operating pressure
- flow rate
- media
- media temperature
- ambient temperature
- nominal voltage

general specifications


options


| | | | |
|-----------------------------|---------------------------------|-------------------------|---------------------------------|
| ports | RSV | threads G 3/4 - G 1 | |
| function | | NC | NO |
| pressure range | bar | 0-10 | |
| Kv value | m³/h | 6,8 | |
| vacuum | | low vacuum | |
| pressure-vacuum | P ₁ ⇔ P ₂ | | upon request |
| back pressure | P ₂ > P ₁ | | |
| media | | gaseous - liquid | |
| abrasive media | | | |
| damping | opening | | |
| | closing | | |
| flow direction | A ⇔ B | as marked | |
| switching cycles | 1/min | 140 | |
| switching time | ms | opening 120 closing 160 | |
| media temperature | °C | DC: -10 to +80 | |
| | | AC: -10 to +80 | |
| ambient temperature | °C | DC: -10 to +80 | |
| | | AC: -10 to +80 | |
| limit switches | | | |
| manual override | | | available |
| approvals | | | |
| mounting | | | mounting bracket/mounting holes |
| weight | kg | 4,0 | |
| additional equipment | | | upon request |

electrical specifications

options

| | | | | |
|--------------------------------------|----------------|--|-------------|------------------------------|
| nominal voltage | U _n | 24 V | DC | special voltage upon request |
| | U _n | 230 V | 40-60 Hz AC | special voltage upon request |
| actuation | DC | direct-current magnet | | |
| | AC | direct-current magnet with integrated rectifier | | |
| insulation rating | H | 180°C | | |
| protection | IP65 | | | |
| energized duty rating | ED | 100% | | |
| connection | | plug acc. DIN EN 175301-803 | | terminal box M16x1,5 |
| | | form A, 4 positions x 90° / wire diameter 6-8 mm | | |
| optional additional equipment | | illuminated plug with varistor | | |
| current consumption | N-coil | 24 V | DC | 1,70 A |
| | | 230 V | 40-60 Hz AC | 0,16 A |

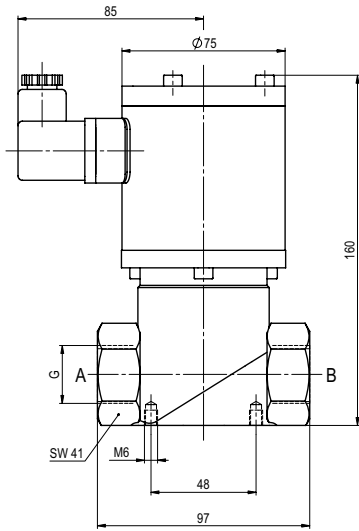
 The valves' technical design is based on media and application requirements. This can lead to deviations from the general specifications shown on the data sheet with regards to the design, sealing materials and characteristics.

 If order or application specifications are incomplete or imprecise there exists a risk of an incorrect technical design of the valve for the required application. As a consequence, the physical and / or chemical properties of the materials or seals used, may not be suitable for the intended application.

specifications not highlighted are standard
 specifications highlighted in grey are optional

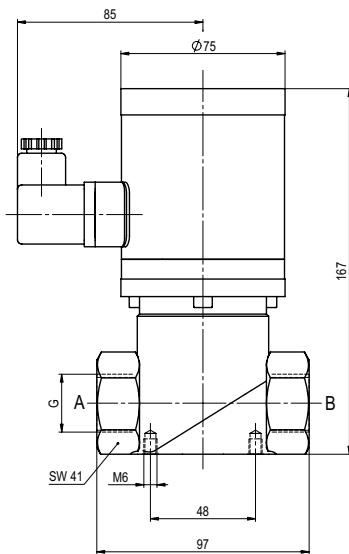
type RSV 20

function: **NC**
closed when not energized



type RSV 20

function: **NO**
open when not energized



The application-specific layout relating to temperature, pressure conditions, switching behavior, media and its consistency may restrict the range of use or necessitate relevant modifications to materials used and seal arrangements.

Rights reserved to make technical alterations • Not responsible for printing errors • Detailed drawings can be obtained upon request