

lateral valve

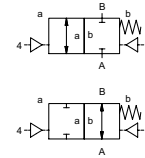
type V2

5-V2

valve type with pilot valve



2/2 way valve externally controlled
pressure range PN 0-64 bar
orifice DN 15 - DN 80
connection flange
function valve normally closed **NC**
 valve normally open **NO**



design pressure balanced, with spring return
body materials ① ② ③ ④ ⑤ ⑥
 ④ steel, nickel plated ⑥ stainless steel

valve seat synthetic resin on metal / metal on metal
seal materials FPM, graphite

details needed for main valve

- orifice
- port
- function NC/NO
- operating pressure
- flow rate
- media
- media temperature
- ambient temperature
- type of actuation

details needed for pneumatic actuation

- nominal voltage
- type of protection
- actuation pressure range min/max
- low wattage coil, actuation pressure range 4-7 bar
- pilot valve type

! The valves' technical design is based on media and application requirements. This can lead to deviations from the general specifications shown on the data sheet with regards to the design, sealing materials and characteristics.

! If order or application specifications are incomplete or imprecise there exists a risk of an incorrect technical design of the valve for the required application. As a consequence, the physical and / or chemical properties of the materials or seals used, may not be suitable for the intended application.

■ specifications not highlighted are standard
 ■ specifications highlighted in grey are optional

general specifications

ports	V2	flanges PN 16/40/64
function	NC	special flanges
pressure range	bar	0-64 (Δp max. 30 bar)
Kv value	m ³ /h	DN15=7,5m ³ /h DN25=15m ³ /h DN40=36m ³ /h DN50= 46m ³ /h DN80= 200m ³ /h
vacuum	leak rate	< 10 ⁻⁴ mbar·l·s ⁻¹
pressure-vacuum	P ₁ ↔ P ₂	pressure side max. 40 bar vacuum side leak rate < 10 ⁻⁴ mbar·l·s ⁻¹
back pressure	P ₂ > P ₁	upon request
media		gaseous
abrasive media		version available
damping	opening	
	closing	by throttles on pilot valve
flow direction	A ↔ B	as marked
switching cycles	1/min	upon request
switching time	ms	60 to DN50 100 DN65-80
media temperature	°C	400 DN15-50 >300 DN65-80
ambient temperature	°C	direct mounted pilot valve 50
flush ports		
leak ports		
limit switches		inductive/mechanical
manual override		via pilot valve
approvals		LR/GL/WAZ
mounting		
weight	kg	23,0 to DN50 130,0 DN65-80
additional equipment		upon request

electrical specifications

nominal voltage	U _n	DC 24V	special voltage upon request
	U _n	AC 230V 50 Hz	special voltage upon request
power consumption	DC	4,8 W	2,5 W
	AC	pick up 11,0 VA holding 8,5 VA	
protection	IP 65 (P54)	acc. DIN 40 050	
energized duty rating	ED	100%	
connection		plug acc. DIN EN 175301-803 form B, 4 positions x 90° / wire diameter 6-8 mm	
additional equipment		illuminated plug with varistor	
optional	M12x1	connector acc. DESINA connector acc. VDMA	
max. temperature	media	60°C	
	ambient	50°C	
explosion proof	EEx m II T5	nominal voltage U _n	direct current 24 V 3,25 W
		power consumption	alternating current 230 V 50 Hz 2,90 W

pneumatic specifications

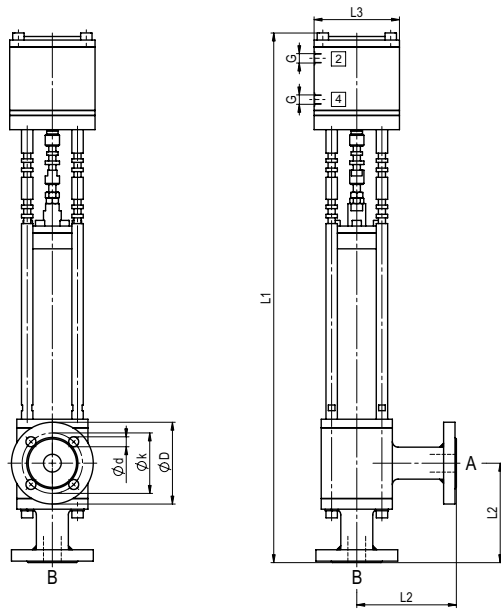
actuation pressure range	bar	6-10
air consumption	cm ³ /stroke	50
cycle speed	main valve speed variable by throttles on pilot valve	
control	preferably 5/2-way pilot valve	
actuator ports	2/4	G 1/4 DN15-50 G 1/2 DN65-80

hydraulic specifications

actuation pressure range		
by media		
control		
actuator ports		

type V 2

function: **NC**
closed when not energized

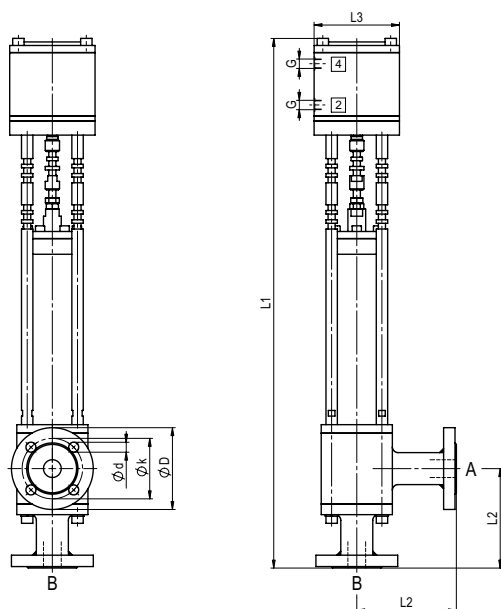


constructive length	L1	L2	L3	G
DN 15-50	750	140	$\square 120$	1/4
DN 65-80	1036	200	$\phi 270$	1/2

flanges PN	DN	DIN	ϕD	ϕk	ϕd
16/40	15	2633/2635	95	65	14
16/40	25	2633/2635	115	85	14
16/40	40	2633/2635	150	110	18
16/40	50	2633/2635	165	125	18
16/40	65	2633/2635	185	145	18
16/40	80	2633/2635	200	160	18
64	15	2637	105	75	14
64	25	2637	140	100	18
64	40	2637	170	125	22
64	50	2637	195	145	26
64	65	2637	220	170	26
64	80	2637	230	180	26

type V 2

function: **NO**
open when not energized



The application-specific layout relating to temperature, pressure conditions, switching behavior, media and its consistency may restrict the range of use or necessitate relevant modifications to materials used and seal arrangements.

Rights reserved to make technical alterations • Not responsible for printing errors • Detailed drawings can be obtained upon request