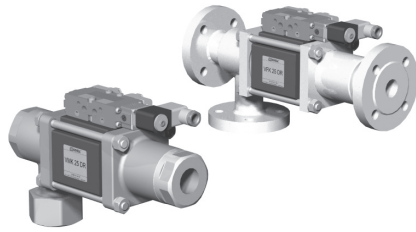


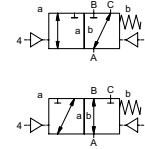
**5-VMK 25 DR**  
**5-VFK 25 DR**  
 valve type with pilot valve

# coaxial valve

## type VMK 25 DR VFK 25 DR



**3/2 way valve** externally controlled  
**pressure range** PN 0-100 bar  
**orifice** DN 25 mm  
**connection** thread/flange  
**function** valve normally closed (A ► B) symbol **NC**  
 valve normally open (A ► B) symbol **NO**



Above stated body materials refer to the valve port connections that get in contact with the media only!

**design** pressure balanced, with spring return, intersecting switch-over  
**body materials** ① brass ② steel, galvanized  
 ③ brass, nickel plated ⑤ without non-ferr. metals  
 ④ steel, nickel plated ⑥ stainless steel

**valve seat** synthetic resin on metal  
**seal materials** NBR PTFE, FPM, CR, EPDM

**details needed for main valve**

- orifice
- port
- function NC/NO
- operating pressure
- inlet pressure at A, B or C
- flow rate
- media
- media temperature
- ambient temperature
- type of actuation

**details needed for pneumatic actuation**

- nominal voltage
- type of protection
- actuation pressure range min/max
- low wattage coil, actuation pressure range 4-7 bar
- pilot valve type

**details needed for hydraulic actuation**

- actuation pressure range min/max
- hydraulic control valve function

The valves' technical design is based on media and application requirements. This can lead to deviations from the general specifications shown on the data sheet with regards to the design, sealing materials and characteristics.

If order or application specifications are incomplete or imprecise there exists a risk of an incorrect technical design of the valve for the required application. As a consequence, the physical and / or chemical properties of the materials or seals used, may not be suitable for the intended application.

■ specifications not highlighted are standard  
 specifications highlighted in grey are optional

general specifications		options
<b>ports</b>	VMK threads G 1 - G 1 1/2 VFK flanges PN 16/40/100	special threads special flanges
<b>function</b>	NC	NO
<b>pressure range</b>	bar 0-16/0-40/0-64/0-100 A ⇒ B max.100 / B ⇒ A max.16 / A ⇒ C max.100 / C ⇒ A max.100	
<b>Kv value</b>	m <sup>3</sup> /h 13,3	
<b>vacuum</b>	leak rate < 10 <sup>-6</sup> mbar·l·s <sup>-1</sup>	
<b>pressure-vacuum</b>	P <sub>1</sub> ⇔ P <sub>2</sub> pressure side max. 100 bar vacuum side leak rate < 10 <sup>-6</sup> mbar·l·s <sup>-1</sup>	
<b>back pressure</b>	P <sub>2</sub> > P <sub>1</sub> see pressure range	
<b>media</b>	gaseous - liquid - highly viscous - gelatinous - pasty - contaminated	
<b>abrasive media</b>		version available
<b>damping</b>	opening by throttles on pilot valve closing see pressure range	
<b>flow direction</b>	1/min 200	
<b>switching cycles</b>	ms opening 50-3000 closing 50-3000	
<b>switching time</b>	°C direct mounted pilot valve 60	remote mounted pilot valve outside temperature range of media max.160°C
<b>media temperature</b>	°C direct mounted pilot valve 50	available
<b>ambient temperature</b>		available
<b>flush ports</b>		inductive/mechanical upon request
<b>leak ports</b>		
<b>limit switches</b>		
<b>manual override</b>	via pilot valve	LR/GL/WAZ
<b>approvals</b>		mounting brackets
<b>mounting</b>		
<b>weight</b>	kg VMK 8,0 VFK 9,6	
<b>additional equipment</b>		upon request

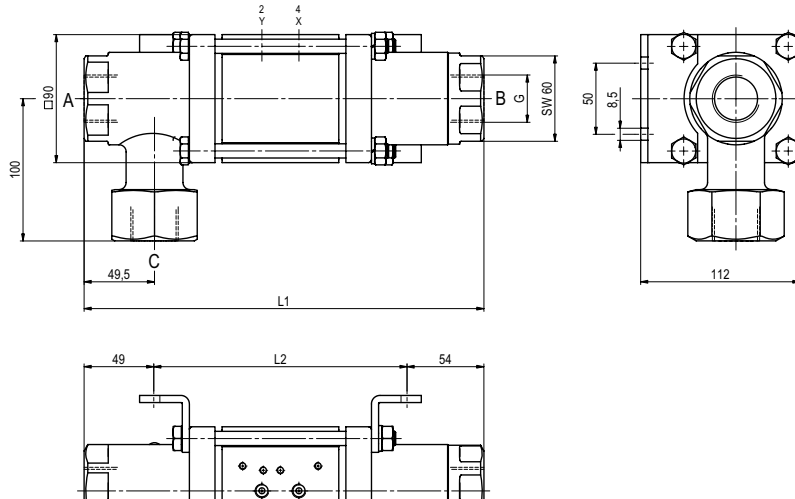
electrical specifications		options
<b>nominal voltage</b>	U <sub>n</sub> DC 24V U <sub>n</sub> AC 230V 50 Hz	special voltage upon request special voltage upon request
<b>power consumption</b>	DC 4,8 W AC pick up 11,0 VA holding 8,5 VA	2,5 W
<b>protection</b>	IP 65 (P54) acc. DIN 40 050	
<b>energized duty rating</b>	ED 100%	
<b>connection</b>	plug acc. DIN EN 175301-803 form B, 4 positions x 90° / wire diameter 6-8 mm	
<b>additional equipment</b>	illuminated plug with varistor	connector acc. VDMA
<b>optional</b>	M12x1 connector acc. DESINA	
<b>max. temperature</b>	media 60°C ambient 50°C	
<b>explosion proof</b>	EEx m II T5 nominal voltage U <sub>n</sub> power consumption	direct current 24 V 3,25 W alternating current 230 V 50 Hz 2,90 W

pneumatic specifications		options
<b>actuation pressure range</b>	bar 4-10	
<b>air consumption</b>	cm <sup>3</sup> /stroke 18	
<b>cycle speed</b>	main valve speed variable by throttles on pilot valve	
<b>control</b>	preferably 5/2-way pilot valve	
<b>pilot valve interface</b>	co-ax / NAMUR	ISO 1
<b>actuator ports</b>	2/4 G 1/8	G 1/4

hydraulic specifications		options
<b>actuation pressure range</b>	bar 10-30 / 30-60	
<b>control</b>	preferably 4/2-way control valve	
<b>actuator ports</b>	X/Y G 1/4	NPT 1/4

# type VMK 25 DR

function: **NC**  
closed when not energized (A ► B)

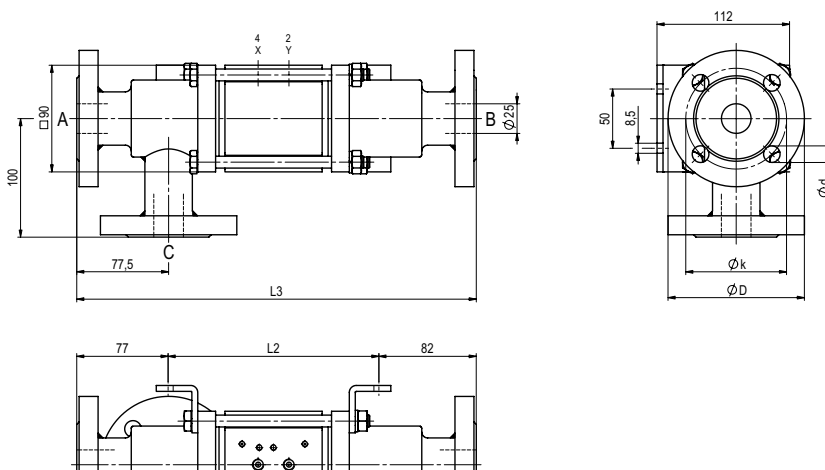


constructive length	L1	L2	L3
standard	281	178	337
with 1/2 inductive limit switches	295	192	351
with force-feed lubrication nipple	311	208	367
with mechanical limit switches	305	202	361

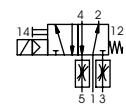
flanges PN	DIN	øD	øk	ød
16	2633	115	85	14
40	2635	115	85	14
100	2637	140	100	18

# type VFK 25 DR

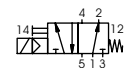
function: **NO**  
open when not energized (A ► B)



### pneumatic actuation (separately)



5/2-way-pilot valve  
flow rate 700 l/min  
pressure range 3-10 bar G 1/8



5/2-way-pilot valve ISO 1  
flow rate 700 l/min  
pressure range 3-10 bar G 1/4

The application-specific layout relating to temperature, pressure conditions, switching behavior, media and its consistency may restrict the range of use or necessitate relevant modifications to materials used and seal arrangements.

Rights reserved to make technical alterations • Not responsible for printing errors • Detailed drawings can be obtained upon request