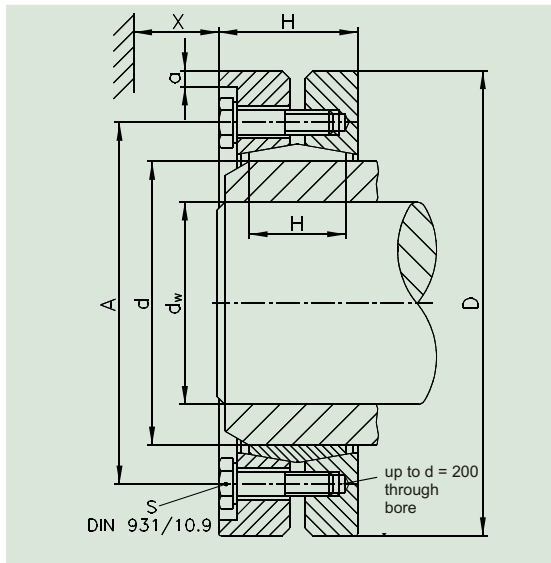


Shrink Discs matching

Stiebel – helical-bevel gears



H and e are in unlocked position

M_t = Transmissible torque per
shrink disc

M_A = Tightening torque per bolt

X – min. space required for standard
torque wrench

Z – Number of bolts

Typ 52	d_w mm	d mm	M_t Nm	D mm	A mm	I mm	H mm	a mm	M_A Nm	Z	S	Weight kg
.. 06 / ..	40	50	1700	90	70	22	31,5	2	12	8	M 6	1
.. 08 / ..	50	62	2800	110	86	23	34,5	3	12	10	M 6	1,5
.. 10 / ..	60	75	4400	138	100	25	38	8	30	7	M 8	3
.. 12 / ..	70	88	6000	155	114	30	44,5	7,5	30	10	M 8	4
.. 14 / ..	75	90	7700	155	114	30	44,5	7,5	30	10	M 8	4
.. 16 / ..	85	110	10800	185	136	39	57	9,5	59	9	M 10	6,5
.. 18 / ..	100	138	17000	230	175	46	68,5	10	100	10	M 12	11
.. 20 / ..	120	155	33000	265	192	50	72,5	19	100	12	M 12	17,5
.. 22 / ..	120	165	39000	290	210	56	81	20	265	8	M 16	24
.. 24 / ..	135	175	62400	300	220	72	98	20	250	10	M 16	30,5
.. 26 / ..	150	200	115500	350	246	92	122	30	250	15	M 16	52
.. 28 / ..	170	220	162900	370	270	114	144	27,5	225	20	M 16	67