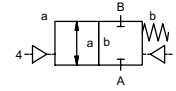


# lateral valve

## type PLB 05



**2/2 way valve** pneumatically controlled  
**pressure range** PN 0-25 bar  
**orifice** DN 5 mm  
**connection** thread  
**function** valve normally closed  
**symbol** NC



**⚠** Above stated body materials refer to the valve port connections that get in contact with the media only!

**design** pressure balanced with spring return  
**body materials** ① aluminium ②  
 ③ ⑤  
 ④ ⑥ stainless steel  
**valve seat** metal on metal  
**seal materials** EPDM, NBR, FPM, metalbrat 1.4571

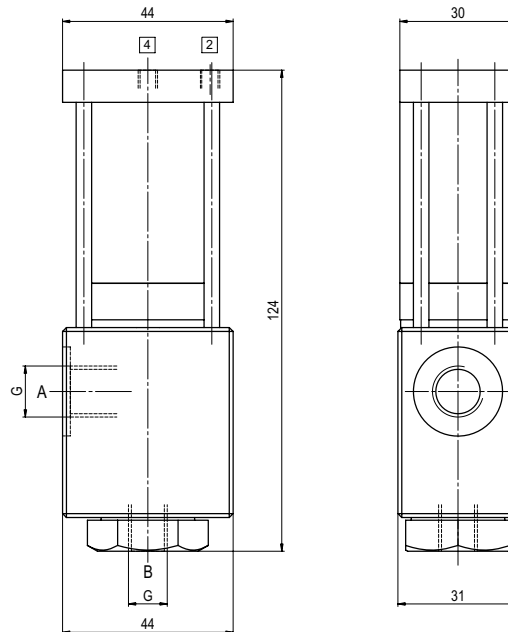
**general specifications**

**options**

<b>ports</b>	PLB	threads G 1/4, G 3/8
<b>function</b>		NC
<b>pressure range</b>	bar	0-25
<b>Kv value</b>	l/min	18,0
<b>vacuum</b>	leak rate	rude vacuum
<b>media</b>		liquid - pasty
<b>flow direction</b>		A ⇒ B
<b>switching cycles</b>	1/min	60
<b>switching time</b>	ms	opening 50 closing 50
<b>media temperature</b>	°C	60
<b>weight</b>	kg	0,36
<b>control</b>		preferably by 5/2-way-valve upon request by 3/2-way-valve
<b>actuator ports</b>	2/4	M5
<b>actuation pressure</b>	bar	4-8

**⚠** The valves' technical design is based on media and application requirements. This can lead to deviations from the general specifications shown on the data sheet with regards to the design, sealing materials and characteristics.

**⚠** If order or application specifications are incomplete or imprecise there exists a risk of an incorrect technical design of the valve for the required application. As a consequence, the physical and / or chemical properties of the materials or seals used, may not be suitable for the intended application.



■ specifications not highlighted are standard  
 ■ specifications highlighted in grey are optional